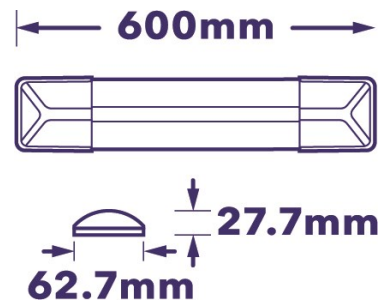


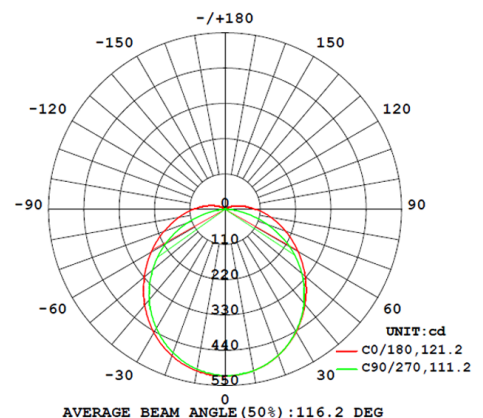
- Ready for surface mounting out of the box
- Comes with 1.2m cable and Plug
- Double insulated
- 1800lm
- 115° beam angle
- 4000K CCT
- L70 lifetime >54000hrs
- Indoor use only



Order Code	66671
General Data	
Plug	2 pin AU Plug
Design	N/A
Geometric Data	
Length (mm)	600mm
Width x Height (mm)	62.7x 27.7mm
Weight (g)	280g
Electric Data	
Wattage	18W
Voltage	200-240Vac
Power Factor	0.9
Operating Frequency	50-60Hz
Photometric Data	
Total Luminous Flux (lm)	1800lm
CRI	> 80
CCT	4000K – Cool-white
Luminous Intensity (cd)	N/A
Beam Angle (°)	115°
Lifetime(L70)	>54000 hrs
Operating Temperature	-40-40°C



LUMINOUS INTENSITY DISTRIBUTION DIAGRAM





Order Code	66671
Product Description	Verbatim Slim LED Batten 18W 0.6m PC diffusion Aluminum PCB no flicker w CnP

Technical Packaging Details

Giftbox Barcode	4895117966716
Inner Carton Barcode	TBC
Outer Carton Barcode	24895117966710
Pack Dimensions (LxWxH)	665x68x44mmmm
Pack Weight	TBC
Carton Qty (Shipping Unit)	30
Carton Dimensions (LxWxH)	TBCmm
Cartons/Layer	TBC
Layers/Pallet	TBC
Units/Pallet	TBC