

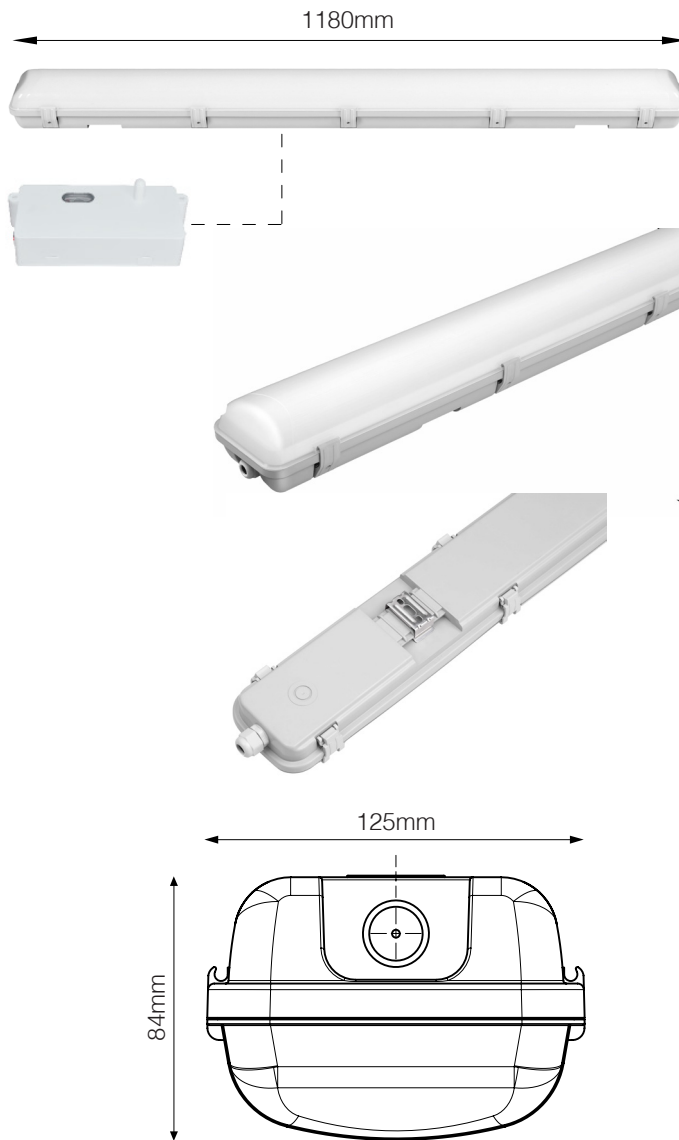
# Linear-Q™ Generation 2

LL4LQ2 Series Weatherproof Emergency SmartSense LED Battens



## Linear-Q Weatherproof SmartSense Emergency Features at a Glance

- Range: 4800Lm, 41W
- Up to 120Lm/W
- Integrated Lumex SmartSense technology
- LM80 projected LED life > 50,000 hours
- Colour Temperatures: 6500K
- Frosted diffuser, Beam angle 120°
- Colour rendering CRI > 80
- Grey Vandal Resistant Body
- Quick-mount clip together assembly
- Corrosion resistant nylon clips
- IP65 Protection rating
- 1-10V dimming capability as standard
- Immune to Ripple Frequency Interference
- Direct connect facility
- Fully recyclable
- Fully Australian Approved
- Seven Year Warranty



### Dimming

Linear-Q Weatherproof SmartSense Battens have an integrated Lumex SmartSense technology. Fixtures operate autonomously to monitor occupancy in their immediate area using highly effective microwave technology.

### Ripple Frequency Interference

Linear-Q Weatherproof SmartSense products are immune to ripple frequency interference.

### Unrivalled Efficiency

Linear-Q Weatherproof SmartSense products utilise the latest developments in LED and offer among the highest energy to light conversions currently available - up to 120Lm/W.

### Environment and Safety

Linear-Q Weatherproof SmartSense products are fully recyclable with no glass to break, no dangerous chemicals, and no risk from exposed voltages.

## Catalogue Number Guide: Linear-Q Weatherproof Emergency SmartSense Emergency

Example: Linear-Q Weatherproof Emergency SmartSense Emergency, 1200mm, Output Level 2, 120° Beam Angle, 6500K, Grey Fixture **LL4LQ2WME122C6**

Product Group	Group Designation	Additional Features	Dimmable	Size	Level	Colour Temperature	Fixture Colour
Fixtures	LL4 Linear Q Weatherproof SmartSense	LQ2WM Emergency	E 1-10V Dimmable	1200mm 12	Twin 2	6500K C6	Grey



CUSTOMER SERVICE  
+61 (03) 9790 8999  
verbatimlighting.com.au



# Linear-Q™ Generation 2

LL4LQ2 Series Weatherproof Emergency SmartSense LED Battens



## Physical

Length:	1180mm
Width:	125mm
Height:	84mm
Mounting Hole Centres:	850mm
Weight:	2.3kg

## Control and Programming

Dimming:	1-10V
----------	-------

## Construction

Colour:	Grey
Body:	Polycarbonate
Impact Rating:	IK08
Protection Rating:	IP65

## Connection

Power Connection:	Direct connection
-------------------	-------------------

## Output

Luminous Flux 4000K:	4800Lm
Efficacy:	up to 120Lm/W
Beam Angle:	120°
CRI:	>80

## Electrical

Input Voltage:	220-240 Vac
Typical Total Power:	41W
Power Factor:	0.90

## Thermal

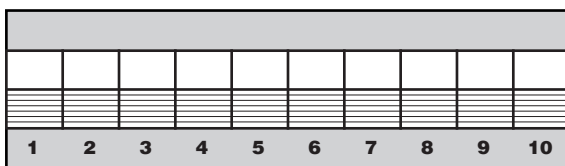
Storage Temperature:	-40°C to +80°C
Operating Range Ta:	-35°C to +50°C
Humidity (non-condensing):	10-100%

## Certificates

EMC:	AS/NZS CISPR15 (C-Tick)
Electrical Safety:	AS/NZS 60598.2.1, AS/NZS 4417 (RCM)

## Light Management Settings

Zone Control configuration is via a series of DIP switched or via remote control



1 & 2 - Sensor Range and Sensitivity (3-10m diameter)

3 & 4 - Hold time (10sec - 15min)

5 & 6 - Light Level Activation threshold (10 - 50 lux)

7 & 8 - Minimum Dim Level (50% to off)

9 & 10 - Dim to Off time (1min - 60min)

For further details refer to SmartSense Zone Control Manual

## Zone Control Specifications

Operating Voltage:	240Vac
Rated Load:	1200VA @ 240Vac
HF System:	5.8GHz
Power Consumption:	<1W (Operation)
Dim Control Output:	0-10V, max, 25mA sinking current
Detection radius/angle:	8m/360°
Mounting Height:	2.3m to 6m
Remote Range:	10m indoor
Humidity:	Max. 95% RH
Transmission Power:	<0.2mW

## Emergency Specifications

Maximum Emergency Power:	4W
Emergency Duration:	3 Hours
Battery:	LiFePo4 6.4V 3.0Ah
Input Voltage:	220-240VAC
Input Current:	35-60mA
Output Voltage:	10...42VDC,
Output Current:	100mA
Charge Time:	24 Hours *
Operating Temperature Range:	-20...+50°C
Emergency Classification:	C0, C180: D63 (21.1m) C90, C270: D40 (18m)

\*16 hours battery charging provides 2 hours emergency lighting.

Specifications subject to change without notice.



CUSTOMER SERVICE  
+61 (03) 9790 8999  
verbatimlighting.com.au

