

# mighty bollard

rigid series

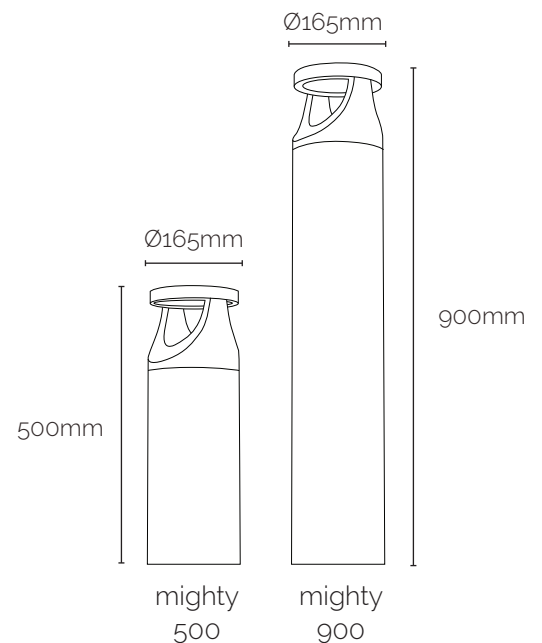


the mighty bollard series is designed to produce low glare illumination with a range of optics available. the soft curves will enhance any outdoor environment while the concealed fixing plate and rag bolt kit will ensure secure installation.

the mighty 500 delivers 14W while the mighty 900 delivers 24W, encased in a matt black powder coated aluminium body and a clear multi optic PC lens.

## specifications

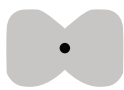
system wattage:	14W (mighty 500); 24W (mighty 900)
luminaire output:	1190lm up to 1920lm
CCT:	3000K, 4000K
optics:	type 4, type 5
CRI:	80
macadam:	<4
control:	non-dim, DALI or casambi
operating voltage:	240V AC; 24V DC (optional)
finish:	matte black
housing:	die-cast aluminium
diffuser:	multi-optic PC lens
enclosure protection:	IP66, IK10
operating temp:	-30°C to +50°C
lifetime:	50,000hrs
warranty:	5 years
accessories:	visor



## optics



type 4



type 5

## product code

<b>FR</b>	<b>X</b>	<b>X</b>	<b>X</b>	<b>X</b>	<b>B</b>	<b>V</b>
product group	group designation	dimmable	beam angle	cct	fixture colour	accessories
<b>FR</b> rigid	<b>M5</b> mighty 500 <b>M9</b> mighty 900	<b>Do</b> non-dim <b>DD</b> DALI <b>CS</b> casambi	<b>T4</b> type 4 <b>T5</b> type 5	<b>30</b> 3000K <b>40</b> 4000K <b>50</b> 5000K	<b>B</b> black	<b>V</b> visor



+61 (03) 9790 8999  
lighting@verbatim.com.au  
www.verbatimlighting.com.au

